



Twin wall insulated chimney system



MACMetalcraft.co.uk
Tel: 01709 570 563
Fax: 01709 580 613
Sales@macmetalcraft.co.uk

Vantage made by 

Brochure
July 2018

Vantage Collection

Length 1000/750/500/
200/120 mm

EX 100/75/50/20/12

Available in 5 lengths which can be easily combined to achieve the required height for the installation. All lengths must be installed with the male socket pointing upwards. Included locking band.



NOMINAL LENGTH	145	225	525	775	1025
EFFECTIVE LENGTH (L)	120	200	500	750	1000
Ø125 (5") BLACK	EX12125P	EX20125P	EX50125P	EX75125P	EX100125P
Ø125 (5") STAINLESS STEEL	EX12125	EX20125	EX50125	EX75125	EX100125
Ø150 (6") BLACK	EX12150P	EX20150P	EX50150P	EX75150P	EX100150P
Ø150 (6") STAINLESS STEEL	EX12150	EX20150	EX50150	EX75150	EX100150

Adaptor length for single wall EXAL

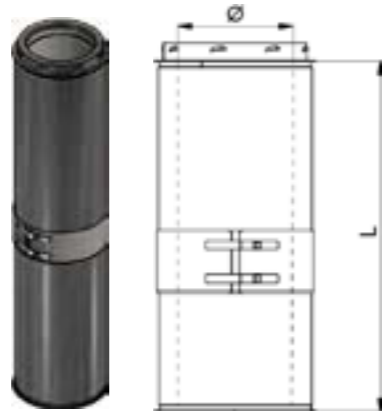
Use this adaptor to join single wall, enamelled flue pipe to your twin wall. With its telescopic function the EXAL is easy to install, flexible connection and give a completely seamless join. Included locking band.



EFFECTIVE LENGTH (L)	1000
Ø125 (5") BLACK	EXAL125P
Ø125 (5") STAINLESS STEEL	EXAL125
Ø150 (6") BLACK	EXAL150P
Ø150 (6") STAINLESS STEEL	EXAL150

Adjustable Lengths (short) EXPP

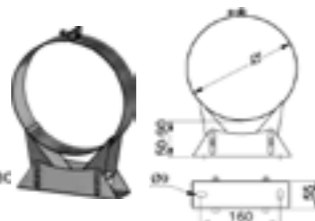
The two-part adjustable length offers a degree of flexibility when standard length dimensions are not suitable. Included locking band.



NOMINAL LENGTH (L)	320 - 520
EFFECTIVE LENGTH (L)	295 - 495
Ø125 (5") BLACK	EXPP125P
Ø125 (5") STAINLESS STEEL	EXPP125
Ø150 (6") BLACK	EXPP150P
Ø150 (6") STAINLESS STEEL	EXPP150

Wall band adjustable EXWB

Wall bands provide lateral support at a distance of 50 mm to 90 mm from the wall. The chimney must be used at intervals to exceed 3.0 metres beyond any load bearing support.



Ø125 (5") BLACK	EXWB125P
Ø125 (5") STAINLESS STEEL	EXWB125
Ø150 (6") BLACK	EXWB150P
Ø150 (6") STAINLESS STEEL	EXWB150

All prices exclude VAT @ current Rate

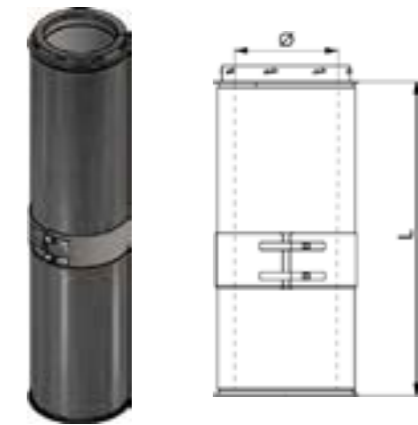
www.MACMetalcraft.co.uk

Sales@macmetalcraft.co.uk

VantageCollection

Adjustable Lengths (long) EXPPL

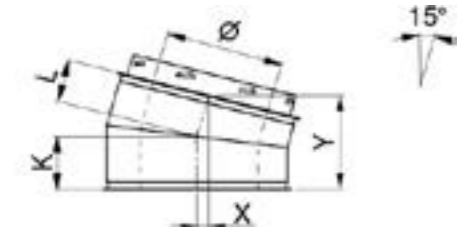
The two-part adjustable length offers a degree of flexibility when standard length dimensions are not suitable. Included locking band.



NOMINAL LENGTH (L)	525 - 975
EFFECTIVE LENGTH (L)	500 - 950
Ø125 (5") BLACK	EXPPL125P
Ø125 (5") STAINLESS STEEL	EXPPL125
Ø150 (6") BLACK	EXPPL150P
Ø150 (6") STAINLESS STEEL	EXPPL150

Elbow 15° EXB 15

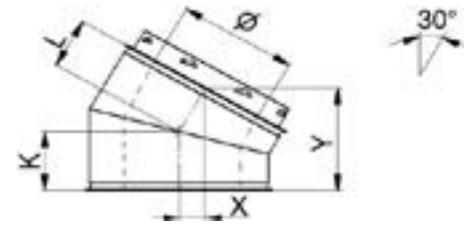
The female elbow sockets are provided without locking tabs to enable them to be easily rotated to achieve the required direction for installation. Locking band included



	(K)	(L)	(X)	(Y)	
Ø125 (5") BLACK	61	48	14	107	EXB15125P
Ø125 (5") STAINLESS STEEL	61	48	14	107	EXB15125
Ø150 (6") BLACK	63	50	15	111	EXB15150P
Ø150 (6") STAINLESS STEEL	63	50	15	111	EXB15150

Elbow 30° EXB 30

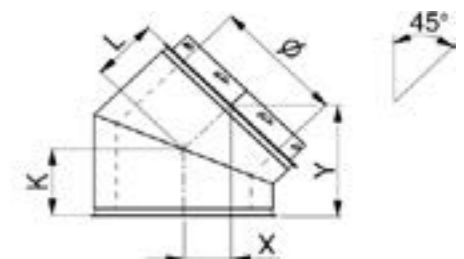
The female elbow sockets are provided without locking tabs to enable them to be easily rotated to achieve the required direction for installation. Locking band included



	(K)	(L)	(X)	(Y)	
Ø125 (5") BLACK	64	60	31	116	EXB30125P
Ø125 (5") STAINLESS STEEL	64	60	31	116	EXB30125
Ø150 (6") BLACK	70	60	33	122	EXB30150P
Ø150 (6") STAINLESS STEEL	70	60	33	122	EXB30150

Elbow 45° EXB 45

The female elbow sockets are provided without locking tabs to enable them to be easily rotated to achieve the required direction for installation. Locking band included



	(K)	(L)	(X)	(Y)	
Ø125 (5") BLACK	79	70	53	127	EXB45125P
Ø125 (5") STAINLESS STEEL	79	70	53	127	EXB45125
Ø150 (6") BLACK	80	75	55	133	EXB45150P
Ø150 (6") STAINLESS STEEL	80	75	55	133	EXB45150

All prices exclude VAT @ current Rate

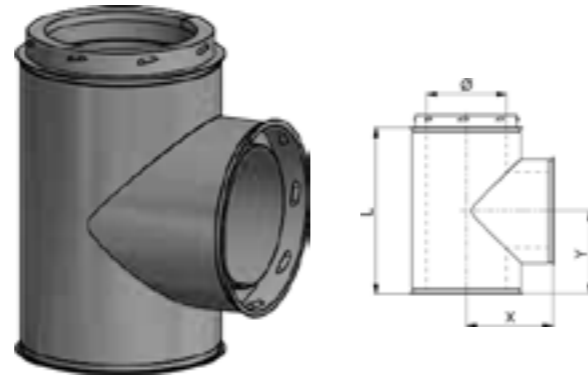
Tel: 01709 570 563

Sales@macmetalcraft.co.uk

Vantage Collection

Tee piece 90° EXT 90

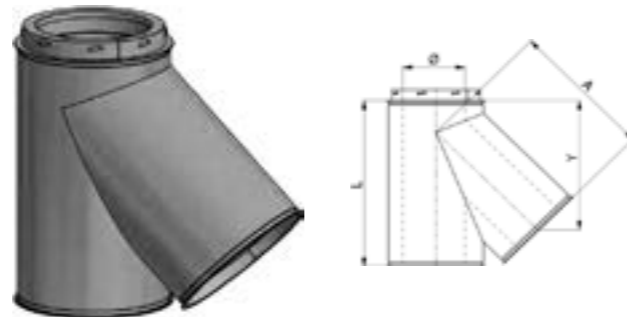
Used as the entry to a vertical chimney from a horizontal stove outlet or as an inspection opening. Locking band included.



	EFFECTIVE LENGTH (L)	(X)	(Y)	
125 (5") BLACK	300	128	150	EXT90125P
125 (5") STAINLESS STEEL	300	128	150	EXT90125
150 (6") BLACK	327	170	165	EXT90150P
150 (6") STAINLESS STEEL	327	170	165	EXT90150

Tee piece 45° EXT 45

Used at the base of a vertical chimney, or to allow a smooth transition from the horizontal to vertical plain when used with a 45° elbow. The female elbow sockets are provided without locking tabs to enable them to be easily rotated to achieve the required direction for installation. Locking band included.



	EFFECTIVE LENGTH (L)	(Y)	(A)	
125 (5") BLACK	330	261	270	EXT45125P
125 (5") STAINLESS STEEL	330	261	270	EXT45125
150 (6") BLACK	360	282	300	EXT45150P
150 (6") STAINLESS STEEL	360	282	300	EXT45150

Tee Plug EXTE

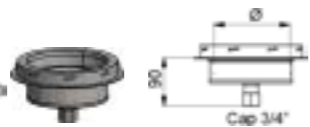
Provides access to the system for inspection and cleaning.



	(O.D.)		
125 (5") BLACK	122	EXTE125P	
125 (5") STAINLESS STEEL	122	EXTE125	
150 (6") BLACK	147	EXTE150P	
150 (6") STAINLESS STEEL	147	EXTE150	

Drain plug EXRBK

Used at the bottom of a vertical chimney to facilitate drainage. Fitted with a stainless steel 3/4" BSP external thread drain connection. Locking band and 3/4" cap included.



	(O.D.)		
125 (5") BLACK	97	EXRBK125P	
125 (5") STAINLESS STEEL	97	EXRBK125	
150 (6") BLACK	122	EXRBK150P	
150 (6") STAINLESS STEEL	122	EXRBK150	

Increasing adaptor EXIA

This allows you to join a 100 mm, 125 mm, 150 mm or 175 mm single wall, enamelled flue pipe to a larger 125 mm, 150 mm, 175 mm or 200 mm twin wall application. Locking band included.



	(O.D.)		
125 (5") BLACK	97	EXIA125P	
125 (5") STAINLESS STEEL	97	EXIA125	
150 (6") BLACK	122	EXIA150P	
150 (6") STAINLESS STEEL	122	EXIA150	

Appliance adaptor EXAD

Use this adaptor to join single wall, enamelled flue pipe to your twin wall. Both the single and twin wall flue pipe must be of the same diameter to use this product. Locking band included.



	(O.D.)		
125 (5") BLACK	97	EXAD125P	
125 (5") STAINLESS STEEL	97	EXAD125	
150 (6") BLACK	122	EXAD150P	
150 (6") STAINLESS STEEL	122	EXAD150	

Guy wire band EXGWB

A clamping collar for the attachment of struts/supports:



	(O.D.)		
125 (5") BLACK	97	EXGWB125P	
125 (5") STAINLESS STEEL	97	EXGWB125	
150 (6") BLACK	122	EXGWB150P	
150 (6") STAINLESS STEEL	122	EXGWB150	

Vantage Collection

Inspection element EXIH

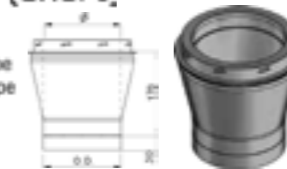
Used as an inspection opening to inspect and maintain the chimney. Locking band included.



	(L)		
125 (5") BLACK	500	EXIH125P	
125 (5") STAINLESS STEEL	500	EXIH125	
150 (6") BLACK	500	EXIH150P	
150 (6") STAINLESS STEEL	500	EXIH150	

Stove pipe starter section (short) EXSTA

Use this adaptor to join single wall, enamelled flue pipe to your twin wall. Both the single and twin wall flue pipe must be of the same diameter to use this product. Locking band included. Short tapered version.



	(O.D.)		
125 (5") BLACK	122	EXSTA125P	
125 (5") STAINLESS STEEL	122	EXSTA125	
150 (6") BLACK	147	EXSTA150P	
150 (6") STAINLESS STEEL	147	EXSTA150	

Stove pipe starter section (long) EXLTA

Use this adaptor to join single wall, enamelled flue pipe to your twin wall. Both the single and twin wall flue pipe must be of the same diameter to use this product. Locking band included. Long tapered version.



	(O.D.)		
125 (5") BLACK	122	EXLTA125P	
125 (5") STAINLESS STEEL	122	EXLTA125	
150 (6") BLACK	147	EXLTA150P	
150 (6") STAINLESS STEEL	147	EXLTA150	

Increasing stove pipe starter section EXAX

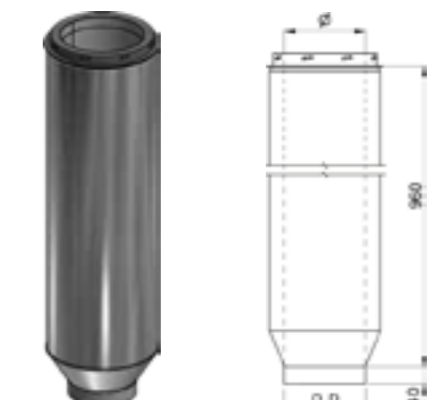
This allows you to join a 100 mm, 125 mm, 150 mm or 175 mm single wall, enamelled flue pipe to a larger 125 mm, 150 mm, 175 mm or 200 mm twin wall application. Included locking band.



	(O.D.)		
125 (5") BLACK	97	EXAX125P	
125 (5") STAINLESS STEEL	97	EXAX125	
150 (6") BLACK	122	EXAX150P	
150 (6") STAINLESS STEEL	122	EXAX150	

Stove pipe starter section EXAZ

Use this adaptor to join single wall, enamelled flue pipe to your twin wall. Both the single and twin wall flue pipe must be of the same diameter to use this product. Locking band included.



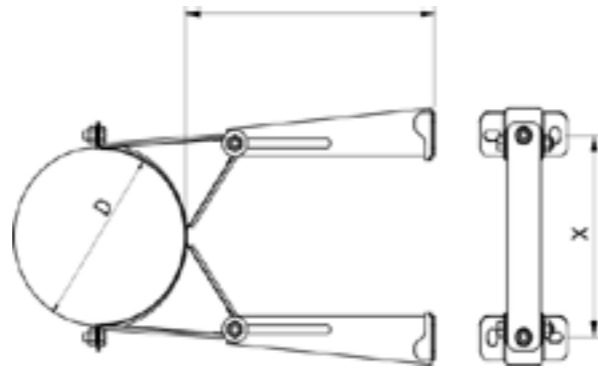
	(O.D.)		
125 (5") BLACK	122	EXAZ125P	
125 (5") STAINLESS STEEL	122	EXAZ125	
150 (6") BLACK	147	EXAZ150P	
150 (6") STAINLESS STEEL	147	EXAZ150	

Vantage Collection

Wall band adjustable
90 - 200 mm
EXMBV2

Wall band adjustable
190 - 300 mm
EXMBV3

Wall band adjustable
290 - 400 mm
EXMBV4



EXMBV2 90 - 200 mm

	(X)	(D)	
Ø125 (5") BLACK	205	175	EXMBV2125P
Ø125 (5") STAINLESS STEEL	205	175	EXMBV2125
Ø150 (6") BLACK	230	200	EXMBV2150P
Ø150 (6") STAINLESS STEEL	230	200	EXMBV2150

EXMBV3 190 - 300 mm

	(X)	(D)	
Ø125 (5") BLACK	205	175	EXMBV3125P
Ø125 (5") STAINLESS STEEL	205	175	EXMBV3125
Ø150 (6") BLACK	230	200	EXMBV3150P
Ø150 (6") STAINLESS STEEL	230	200	EXMBV3150

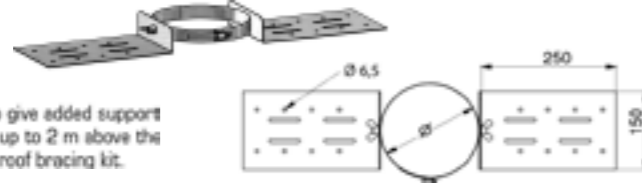
EXMBV4 290 - 400 mm

	(X)	(D)	
Ø125 (5") BLACK	205	175	EXMBV4125P
Ø125 (5") STAINLESS STEEL	205	175	EXMBV4125
Ø150 (6") BLACK	230	200	EXMBV4150P
Ø150 (6") STAINLESS STEEL	230	200	EXMBV4150



Roof support EXRSB

This can be fixed to roof joists to give added support to the system. This can support up to 2 m above the vaulted rafter support without a roof bracing kit.



Ø125 (5") BLACK	EXRSB125P	
Ø125 (5") STAINLESS STEEL	EXRSB125	
Ø150 (6") BLACK	EXRSB150P	
Ø150 (6") STAINLESS STEEL	EXRSB150	

Locking band EXLB

The standard locking band has a spring connection system, and comes with a circlip to join the mating parts for increased system integrity. It is supplied with every component that has a male socket.



Ø125 (5") BLACK	EXLB125P	
Ø125 (5") STAINLESS STEEL	EXLB125	
Ø150 (6") BLACK	EXLB150P	
Ø150 (6") STAINLESS STEEL	EXLB150	

Storm Collar EXSC

Used to weather the top of the flashing



Ø125 (5") BLACK	EXSC125P	
Ø125 (5") STAINLESS STEEL	EXSC125	
Ø150 (6") BLACK	EXSC150P	
Ø150 (6") STAINLESS STEEL	EXSC150	

45° Wall cover ring EXETP

The wall cover ring is designed to cover the chimney where it penetrates a wall at a 45° angle.



	(X)	(D)	
Ø125 (5") BLACK	179	253	EXETP125P
Ø125 (5") STAINLESS STEEL	179	253	EXETP125
Ø150 (6") BLACK	204	288	EXETP150P
Ø150 (6") STAINLESS STEEL	204	288	EXETP150

VantageCollection

Rain Cap EXRC

Rain caps are fitted to the end of the flue pipe and secured using the Twist lock system to provide complete protection for the installation.



	(A)	(L)	
Ø125 (5") BLACK	300	165	EXRC125P
Ø125 (5") STAINLESS STEEL	300	165	EXRC125
Ø150 (6") BLACK	350	185	EXRC150P
Ø150 (6") STAINLESS STEEL	350	185	EXRC150

Top Stub EXTS

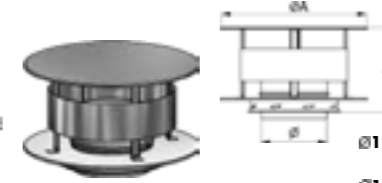
Top stubs are fitted to the end of the flue pipe and secured using the Twist lock system to provide complete protection for the installation. These open terminals are provided with 20 mm anti-bird mesh.



Ø125 (5") BLACK	EXTS125P	
Ø125 (5") STAINLESS STEEL	EXTS125	
Ø150 (6") BLACK	EXTS150P	
Ø150 (6") STAINLESS STEEL	EXTS150	

Storm Cowl EXSTCL

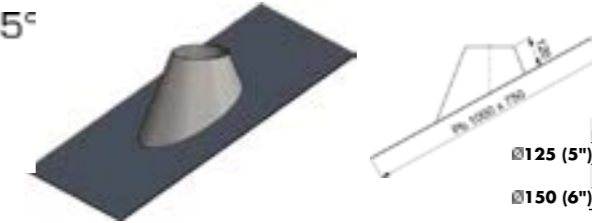
Storm cowls are fitted to the end of the flue pipe and secured using the Twist lock system to provide complete protection for the installation. These Storm Cowls are Anti-splash and Anti-downdraught Terminals.



	(A)	(L)	
Ø125 (5") BLACK	285	145	EXSTCL125P
Ø125 (5") STAINLESS STEEL	285	145	EXSTCL125
Ø150 (6") BLACK	330	165	EXSTCL150P
Ø150 (6") STAINLESS STEEL	330	165	EXSTCL150

Flashing lead skirt 20° - 45° EXLF

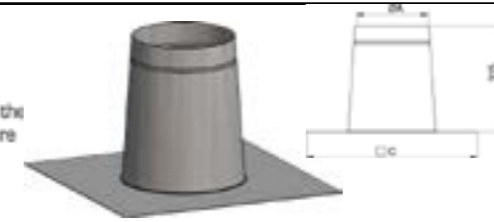
These products are used externally when the installation passes through a roof structure to provide a weatherproof seal to the surrounding weathered surface.



Ø125 (5") BLACK	EXLF125P	
Ø125 (5") STAINLESS STEEL	EXLF125	
Ø150 (6") BLACK	EXLF150P	
Ø150 (6") STAINLESS STEEL	EXLF150	

Flashing 0° EXFF

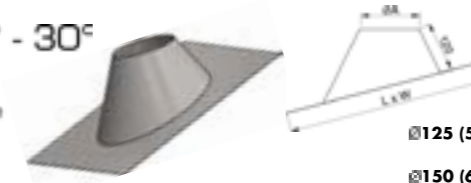
These products are used externally when the installation passes through a roof structure to provide a weatherproof seal to the surrounding weathered surface.



	(A)	(C)	
Ø125 (5") BLACK	190	470	EXFF125P
Ø125 (5") STAINLESS STEEL	190	470	EXFF125
Ø150 (6") BLACK	210	490	EXFF150P
Ø150 (6") STAINLESS STEEL	210	490	EXFF150

Flashing steel skirt 5° - 30° EXSF

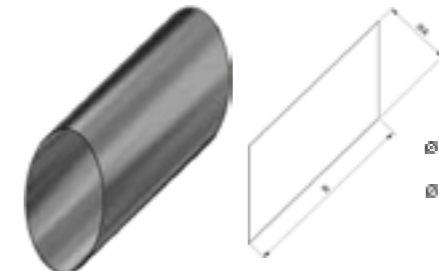
These products are used externally when the installation passes through a roof structure to provide a weatherproof seal to the surrounding weathered surface.



	(A)	(L + W)	
Ø125 (5") BLACK	190	550 x 530mm	EXSF125P
Ø125 (5") STAINLESS STEEL	190	550 x 530mm	EXSF125
Ø150 (6") BLACK	210	575 x 550mm	EXSF150P
Ø150 (6") STAINLESS STEEL	210	575 x 550mm	EXSF150

45° Wall sleeve EXWS

Must be used where the chimney penetrates the wall at 45° through an external wall and thus providing a continuous uninterrupted run through the wall. Provides 50 mm clearance as standard.



	(A)	(B)	
Ø125 (5") BLACK	220	570	EXWSB125P
Ø125 (5") STAINLESS STEEL	220	570	EXWSB125
Ø150 (6") BLACK	255	570	EXWSB150P
Ø150 (6") STAINLESS STEEL	255	570	EXWSB150

Reinforced locking band EXSLB

Reinforced locking bands can be used to replace standard locking bands throughout the system. They are required for added support for lengths of flue in excess of 3 meters long, however where above roof level additional bracing may be required.



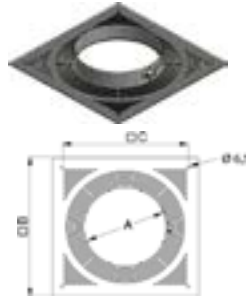
Ø125 (5") BLACK	EXSLB125P	
Ø125 (5") STAINLESS STEEL	EXSLB125	
Ø150 (6") BLACK	EXSLB150P	
Ø150 (6") STAINLESS STEEL	EXSLB150	

Vantage Collection

Ceiling support

EXCSP

This can be fixed on a horizontal ceiling floor to give added support to the system. This can support up to 2 m above the vaulted rafter support without a roof bracing kit.

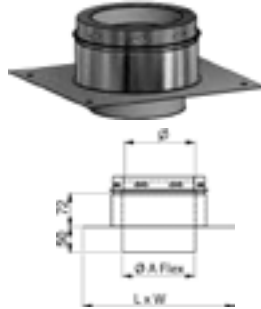


	(A)	(B)	(C)	
Ø125 (5") BLACK	185	340	290	EXCSP125P
Ø125 (5") STAINLESS STEEL	185	340	290	EXCSP125
Ø150 (6") BLACK	210	360	310	EXCSP150P
Ø150 (6") STAINLESS STEEL	210	360	310	EXCSP125

Adaptor to flex

EXAF

Used to connect flexible flue liner to Vantage

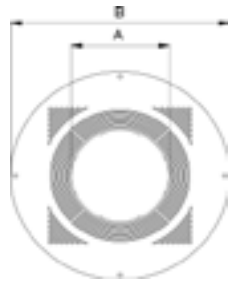


	(A)	(L + W)	
Ø125 (5") BLACK	125	300 X 300mm	EXAF125P
Ø125 (5") STAINLESS STEEL	125	300 x 300mm	EXAF125
Ø150 (6") BLACK	150	320 x 300mm	EXAF150P
Ø150 (6") STAINLESS STEEL	150	320 x 300mm	EXAF150

Fire stop

EXFSR1

Combustible floor, round ventilated Firestop Plate
1 piece

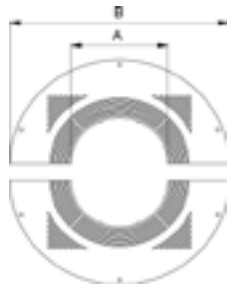


	(A)	(B)	
Ø125 (5") BLACK	181	425	EXFSR1125P
Ø125 (5") STAINLESS STEEL	181	425	EXFSR1125
Ø150 (6") BLACK	206	460	EXFSR1150P
Ø150 (6") STAINLESS STEEL	206	460	EXFSR1150

Fire stop

EXFSR2

Combustible floor, round ventilated Firestop Plate
2 pieces



	(A)	(B)	
Ø125 (5") BLACK	181	425	EXFSR2125P
Ø125 (5") STAINLESS STEEL	181	425	EXFSR2125
Ø150 (6") BLACK	206	460	EXFSR2150P
Ø150 (6") STAINLESS STEEL	206	460	EXFSR2150